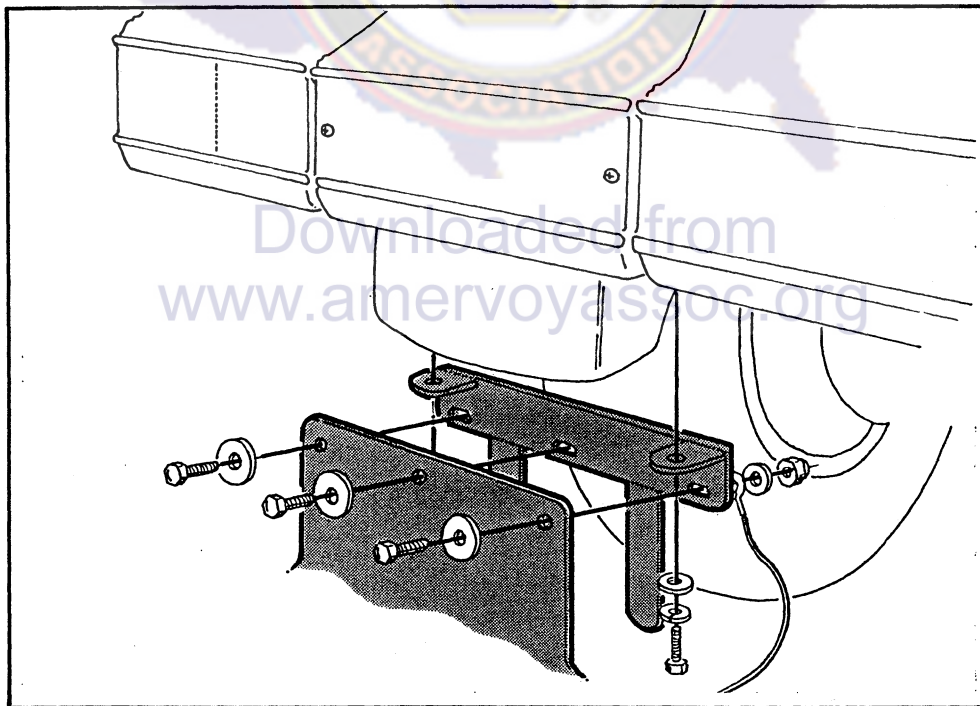


VOYAGER XII LIGHTED REAR MUDFLAP PN K53002-003

| <u>QTY</u> | <u>PN</u> | <u>DESCRIPTION</u> |
|------------|-----------|--|
| 2 | 303125 | 6 x 1.00 x 30mm HEX HEAD CAP SCREW, PLATED |
| 3 | 303170 | 1/4-20 x 3/4" HEX HEAD CAP SCREW, PLATED |
| 3 | 302320 | 1/4-20 HEX NYLOCK NUT, PLATED |
| 3 | 301207 | 6 x 20mm FENDER WASHER, PLATED |
| 2 | 301420 | 1/4" SPLIT LOCKWASHER, PLATED |
| 5 | 301131 | 1/4" SAE FLATWASHER, PLATED |
| 1 | 530340 | GROUND WIRE ASSEMBLY |
| 1 | 950005 | 12" SUPPLY WIRE |
| 1 | 530004 | SPLICE BLOCK |
| 4 | 307003 | 1/8 x 4" NYLON ZIP-TIE, BLACK |
| 1 | 970522 | ZG 12 MUDFLAP ASSEMBLY |
| 1 | 670230 | MUDFLAP MOUNT WELDMENT, BPC |

1. PLACE YOUR MOTORCYCLE ON ITS CENTERSTAND. LOCATE THE TWO 6mm BOLTS THAT FASTEN THE UNDERSIDE OF THE SADDLEBAG CENTER SECTION TO THE SADDLEBAG SUBFRAME. REMOVE THESE TWO BOLTS.
2. ASSEMBLE THE MUDFLAP, MOUNTING BRACKET, AND GROUND WIRE AS SHOWN, USING THE 1/4 x 3/4" BOLTS, FLAT AND FENDER WASHERS, AND LOCKNUTS PROVIDED. TIGHTEN THESE BOLTS SECURELY.
3. POSITION THE MUDFLAP/BACKET ASSEMBLY OVER THE BOLT HOLES FROM STEP ONE, AND THEN FASTEN WITH THE 6 x 30mm BOLTS AND 1/4" LOCK AND FLATWASHERS PROVIDED. TIGHTEN THESE TWO BOLTS SECURELY.
NOTE: IF YOU ARE MOUNTING THE MUDFLAP IN CONJUNCTION WITH THE VOYAGER SADDLEBAG RAILS, SANDWICH THE SADDLEBAG RAIL BRACKETS BETWEEN THE CENTER SECTION AND THE MUDFLAP BRACKETS. THE 6 x 30mm ARE LONG ENOUGH TO REACH THROUGH BOTH BRACKETS.



4. REMOVE THE TAIL LIGHT ASSEMBLY FROM THE CENTER SECTION (FASTENED WITH TWO PHILLIPS-HEAD SCREWS). ROUTE THE BARE END OF THE 12" SUPPLY WIRE THROUGH THE GROMMET IN THE BACK OF THE TAIL LIGHT CAVITY. ATTACH THE WIRE TO ONE OF THE RED WIRES FOR RUNNING LIGHT, TO ONE OF THE BLUE WIRES FOR STOP LIGHT, USING THE SPLICE BLOCK PROVIDED. REINSTALL THE TAIL LIGHT ASSEMBLY USING THE STOCK SCREWS.
5. CONNECT THE SUPPLY AND GROUND WIRES TO THE MALE BULLETS ON THE MUDFLAP LIGHT. SECURE ANY LOOSE WIRES TO THE MOUNT BRACKET USING THE SUPPLIED ZIP-TIES, AND INSTALLATION IS COMPLETE.