



Voyager



**AM Radio
FM Stereo Radio
Cassette Player
CB Radio
Intercom**

Audio Systems Operator's Manual

SAFETY AWARENESS

Whenever you see the symbols shown below, heed their instructions! Always follow safe operating and maintenance practices.

WARNING

- This warning symbol identifies special instructions or procedures which, if not correctly followed, could result in **personal injury, or loss of life.**

CAUTION

- This caution symbol identifies special instructions or procedures which, if not strictly observed, could result in **damage to or destruction of equipment.**

"NOTE"

- This note symbol indicates points of particular interest for more efficient and convenient operation.

NOTICE

THIS PRODUCT HAS BEEN MANUFACTURED FOR USE IN A REASONABLE AND PRUDENT MANNER BY A QUALIFIED OPERATOR.

FOREWORD

We wish to thank you for choosing the Kawasaki Voyager with its fine audio system. Your new Voyager audio system is the product of Kawasaki's advanced engineering, exhaustive testing, and continuous striving for superior reliability, safety and performance.

Read this Operator's Manual before operating your audio system so you will be thoroughly familiar with the proper operation of your audio system's controls, features, capabilities and limitations. Standard equipment includes an AM Radio, an FM Stereo Radio and a Cassette Player; a CB Radio and an Intercom are available separately as options.

Due to improvement in design and performance during production, in some cases there may be minor discrepancies between the actual audio system and the illustrations and text in this manual.

IMPORTANT NOTICE

Some states under various statutes prohibit the wearing of "headphones" or "headsets" while operating a motor vehicle. While the mounting of audio speakers in motorcycle helmets does not convert them to "headphones" or "headsets", some states may prohibit use of the Voyager "Ground Control" helmet sound system under such statutes. Kawasaki advises you to determine the legality of the "Ground Control" helmet sound system prior to using it in any state.

KAWASAKI HEAVY INDUSTRIES, LTD.
MOTORCYCLE GROUP

////////////////////// TABLE OF CONTENTS ////////////////////////

SPECIFICATIONS	3
LOCATION OF PARTS	5
GENERAL INSTRUCTIONS	7
Operating Precautions	7
Theft Prevention	8
AM/FM STEREO RADIO	11
Features	11
AM/FM Stereo Radio Controls	11
Time Adjustment	13
How to Listen to the Radio	14
CASSETTE PLAYER	16
Features	16
Cassette Player Controls	16
Tape Information	19
How to Play the Cassette Player	20
CB RADIO	21
Features	21
CB Radio Controls	21
How to Operate the CB Radio	23
INTERCOM	25
Features	25
Intercom Controls	25
How to Use the Intercom	26
FULL SYSTEM OPERATION	27
Controls	27
AM/FM Stereo Radio and Cassette Player	29
CB Radio and Intercom	29
AM/FM Stereo Radio, Cassette Player and Intercom	30
AM/FM Stereo Radio, Cassette Player, Intercom and CB Radio	30
MAINTENANCE	32
Cleaning the Motorcycle	32
Cassette Player	32

//////////////////// SPECIFICATIONS //////////////////////

General	
Power supply: Voltage	12 V (10.8 to 15.6 V) DC, Negative ground
AM/FM Stereo Radio	
AM Radio:	
Circuit System	Superheterodyne
Tuning System	Electronic tuning
Noise Reduction System	Built-in (CZ2)
Receiving Range	530 to 1,620 kHz (10 kHz step)
Intermediate Frequency	450 kHz
Quieting Sensitivity	Less than 35 dB μ (at 20 dB S/N)
Selectivity	More than 20 dB
Distortion	Less than 5 %
Signal-to-Noise (S/N) Ratio	More than 40 dB
FM Stereo Radio:	
Circuit System	Superheterodyne
Tuning System	Electronic tuning
Noise Reduction System	Built-in (ACZ1)
Receiving Range	87.9 to 107.9 MHz (200 kHz step)
Intermediate Frequency	10.7 MHz
Quieting Sensitivity	Less than 15 dB μ (at 30 dB S/N)
Separation	More than 20 dB
Distortion	Less than 5 %
Signal-to-Noise (S/N) Ratio	More than 40 dB
Current Consumption (AM/FM):	0.7 A at maximum output 10 mA with back-up
Cassette Player	
Reproduction System	4 track, 2 channel, 2 program cassette stereo player (Monaural tape playable)
F.F., REW. Time	Less than 90 sec. (C-60 tape)
Wow and Flutter	Less than 0.3 % (weighted)
Current Consumption	0.3 A (maximum 2 A)

Control Mixer

"Ground Control" Helmet Sound
System:

Rated Output

0.5 W + 0.5 W

(Load impedance = 8 ohms, Stereo)

Output Impedance

16 ohms

Mic Input Impedance

200 ohms

Mic Input Sensitivity

- 70 dBm

Power Amplifier

Circuit System

B.T.L. (Balanced Transformerless) circuit

Rated Output

12 W + 12 W (Load impedance = 4 ohms,
5 % distortion)

Output Impedance

4 ohms

Signal-to-Noise (S/N) Ratio

More than 50 dB

Current Consumption

4 A at maximum output

CB Radio

General:

Number of Channels

40 channels (26.965 to 27.405 MHz)

Noise Reduction System

Built-in (CZ2)

Modulation Type

Amplitude modulation

Antenna Impedance

50 ohms

Receiver:

Quieting Sensitivity

Less than 6 dB μ (at 10 dB S/N)

Intermediate Frequency

1st 10.695 MHz

2nd 455 kHz

Current Consumption

Less than 0.3 A

Transmitter:

Radio Frequency (R.F.) Output

4 W maximum (13.8 V)

Current Consumption

Less than 2 A

Speakers

Type

Cone type, 10 cm dia.

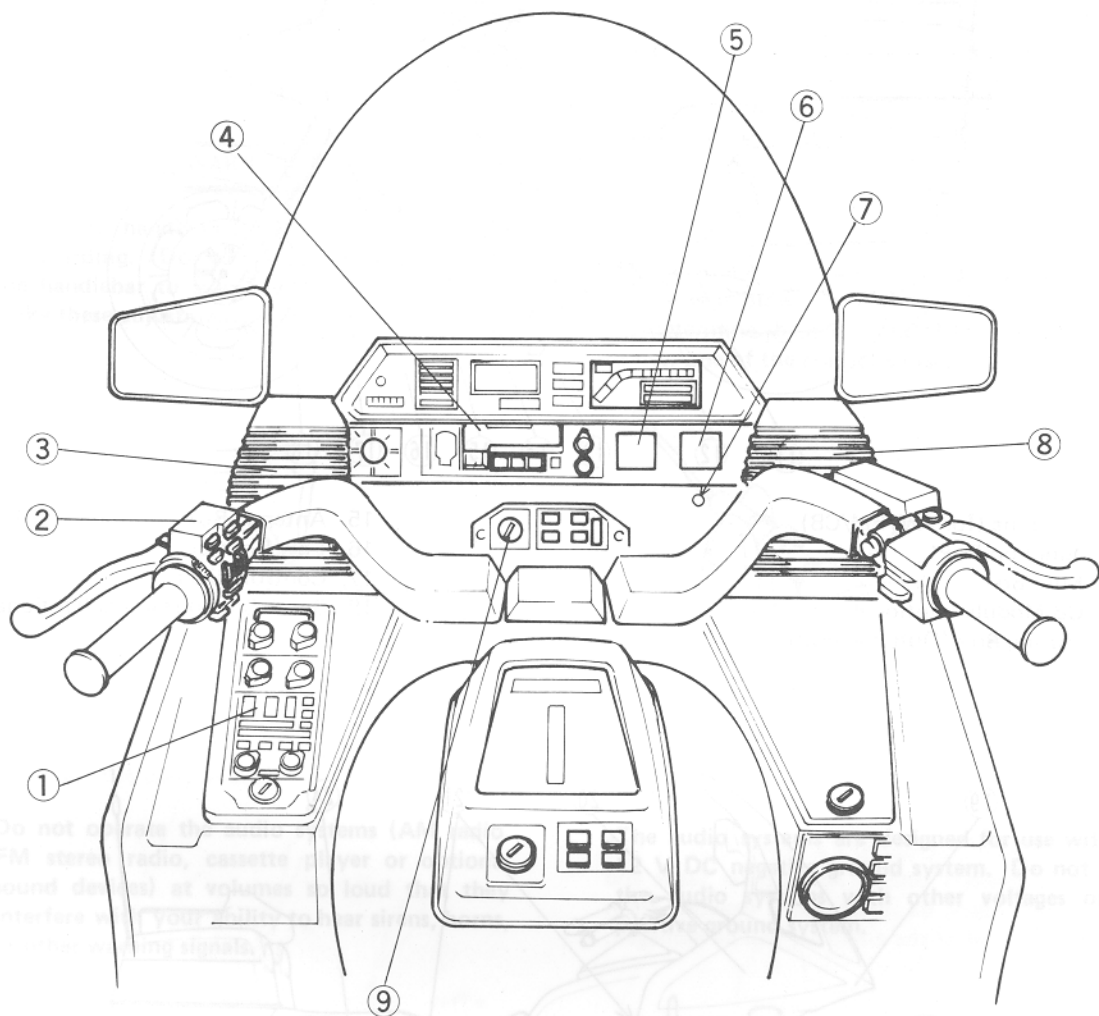
Rated Impedance

4 ohms

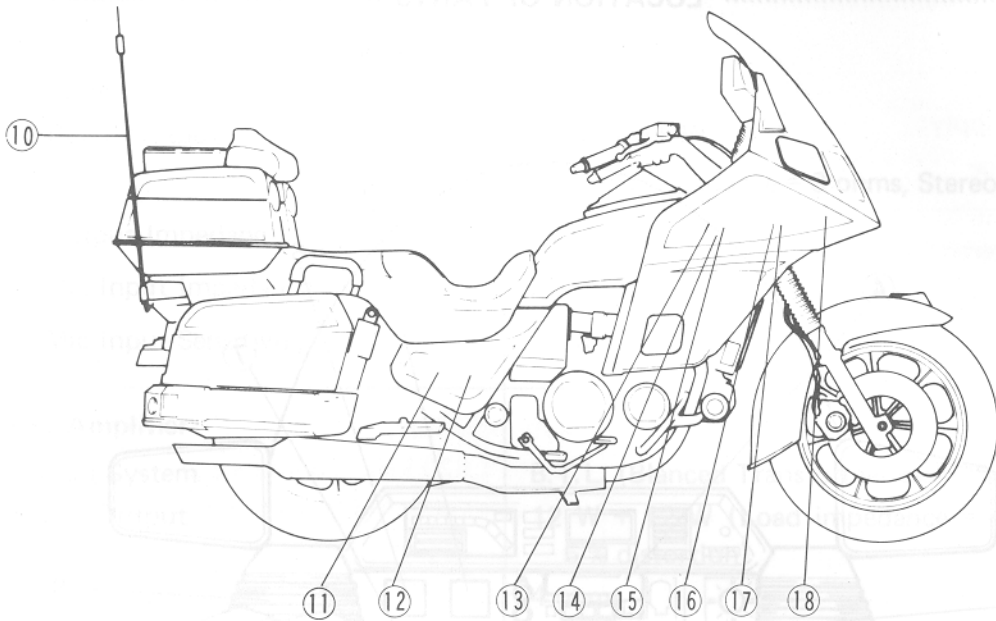
Reproduction Frequency

115 to 10,000 Hz

//////////////////////////////////// LOCATION OF PARTS //////////////////////////////////////

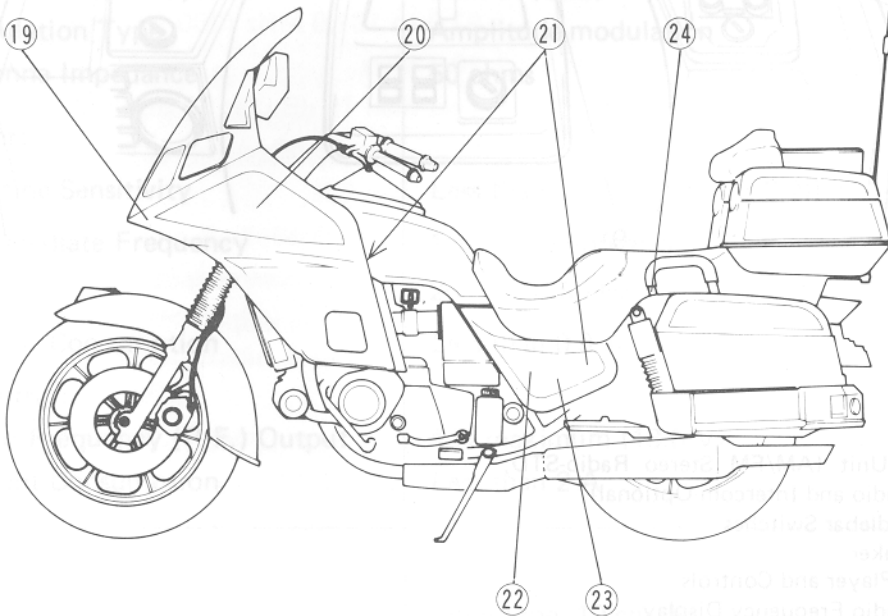


1. Control Unit (AM/FM Stereo Radio-STD,
CB Radio and Intercom-Optional)
2. Left Handlebar Switches
3. Left Speaker
4. Cassette Player and Controls
5. Clock/Radio Frequency Display
6. CB Display (Optional)
7. Speaker Switch for CB (Optional)
8. Right Speaker
9. Ignition Switch



- 10. Antenna (for AM/FM/CB)
- 11. Junction Box
- 12. Fuse Box
- 13. CB Module (Optional)
- 14. Muting Box (Optional—CB)

- 15. Antenna Box (Optional—CB)
- 16. Low Booster
- 17. Control Mixer
- 18. Super Sound Harness (Optional)



- 19. Power Amplifier
- 20. Radio Tuner
- 21. DIN Plugs (Optional)

- 22. Battery
- 23. Accessory Relay
- 24. Passenger Talk Switch (Optional—CB)

GENERAL INSTRUCTIONS

Operating Precautions

There are a number of important precautions that are musts when operating the audio system. Learn and observe all the rules below.

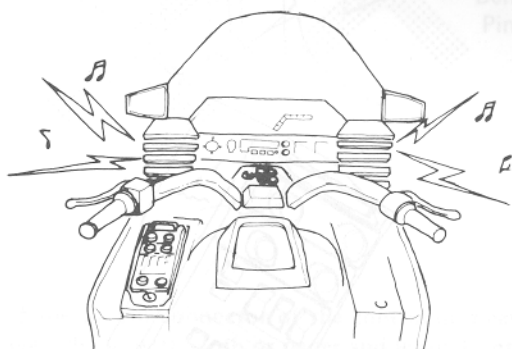
WARNING

- Keep both hands on the handlebar at all times while riding. Don't remove your hands from the handlebar to adjust audio system controls. Make these adjustments before riding.



Adjust Controls
Before Riding

- Do not operate the audio systems (AM radio, FM stereo radio, cassette player or optional sound devices) at volumes so loud that they interfere with your ability to hear sirens, horns, or other warning signals.



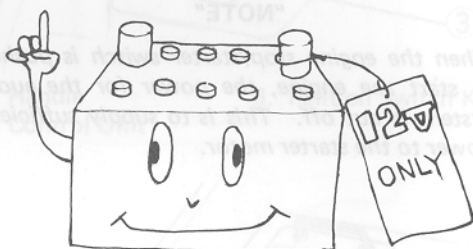
- Do not operate the audio systems at volumes so loud that they disturb other people.

CAUTION

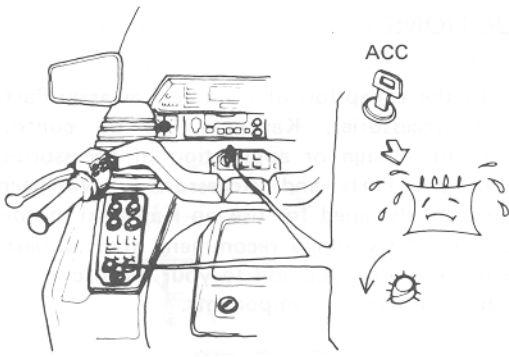
- With the exception of genuine Kawasaki Parts and Accessories, Kawasaki has no control over the design or application of accessories. Kawasaki Parts and Accessories have been specially designed for use on Kawasaki motorcycles. We strongly recommend that all parts and accessories you add to your motorcycle be genuine Kawasaki components.
- Do not use any substitute for the standard fuse. If a fuse is blown, inspect the electrical system to determine the cause, and then replace it with a new one of the correct capacity.



- The audio systems are designed for use with a 12 V DC negative ground system. Do not use the audio systems with other voltages or a positive ground system.

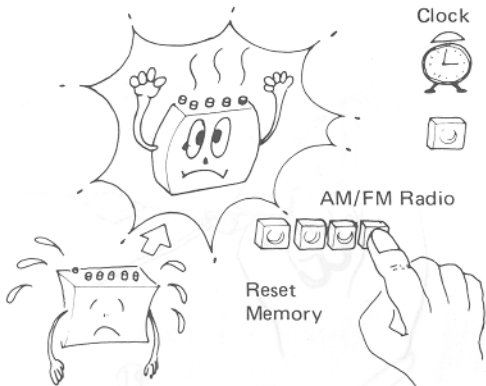


- If you use the AM/FM radio, cassette player or optional equipment for a long time with the engine stopped, the battery may become discharged. When you listen to the AM/FM radio, cassette player or optional equipment with the engine stopped, decrease the volume as far as possible. Increasing the volume increases the power consumption.


CAUTION

- The control unit is designed to be water-resistant and dew-proof when it is correctly installed on the motorcycle. But once removed the control unit is not water-resistant and dew-proof. So, be sure to keep it in a dry place.

- When the ignition switch is turned OFF, the AM/FM radio preset memory and clock will continue to function with the back-up power supply circuit from the battery. But reset is required when the battery becomes totally discharged or is disconnected.



- Don't drop the control unit on a hard surface. Such a shock can damage it.

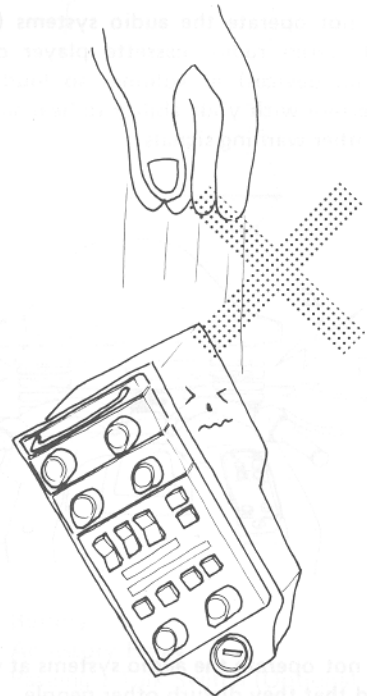
- USE UNGROUNDED SPEAKERS ONLY. Use 4 ohm speakers only. All speaker leads and terminals must be electrically isolated from chassis ground or the amplifier will be damaged.

"NOTE"

- When the engine stop/starter switch is pushed to start the engine, the power for the audio system is cut off. This is to supply sufficient power to the starter motor.

Theft Prevention

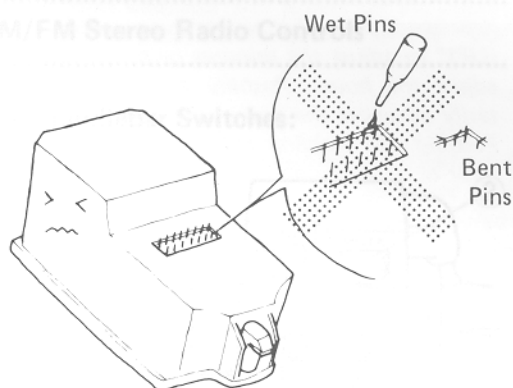
To help prevent theft, the control unit and antenna can be detached from the motorcycle and taken with you. Also, the cassette player can be covered with a lockable anti-theft cover.



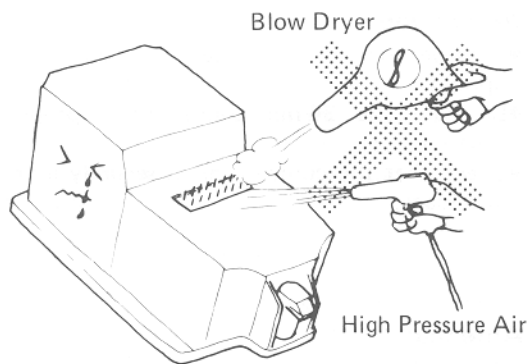
- To prevent damage to the audio systems, do not remove the control unit or the antenna when the ignition switch is in the "ON" or "ACC" position.



- Keep water and dirt from getting into the 34-pin control unit connector. Water and dirt may cause failure from improper contact. Also, take care not to bend the pins in the connector when removing the control unit.



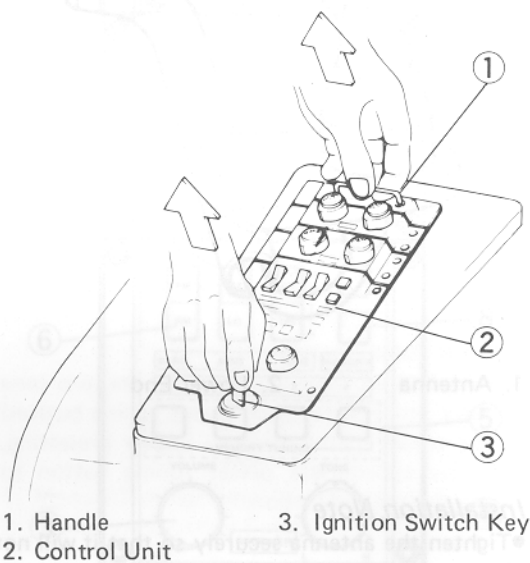
- If the 34-pin connector of the control unit gets wet, dry it with cloth or paper and leave it until it is completely dry. Hot air from a blow dryer or high pressure air should not be used to dry the 34-pin connector. The connector may deform or break.



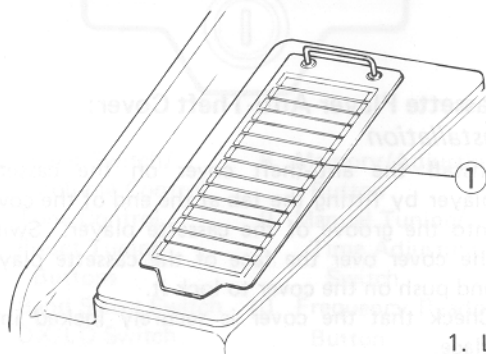
Control Unit:

Removal

- Insert the ignition switch key into the control unit lock, and turn the key fully clockwise.
- While holding the key in this position, pull the control unit upward using the key and handle as the handholds, and detach it from the motorcycle.
- Remove the key, and install the lid.



1. Handle
2. Control Unit
3. Ignition Switch Key



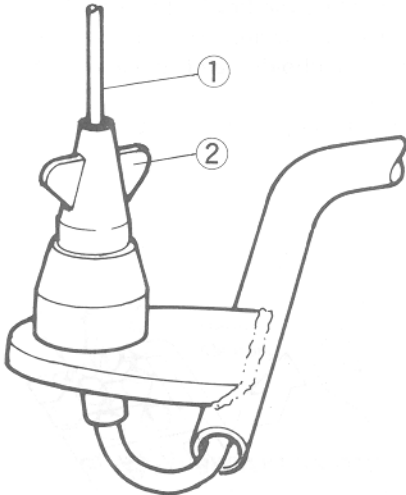
1. Lid

Installation

- Remove the lid and install the control unit upright.
- Be sure the 34-pin connector is properly engaged.
- Check that the control unit is securely locked into place.

**Antenna:
Removal**

- Turn the lower end of the antenna and remove the antenna from the motorcycle.



1. Antenna 2. Lower End

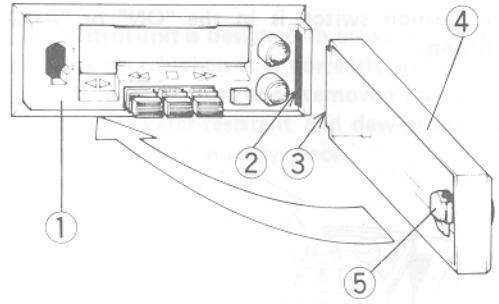
Installation Note

- Tighten the antenna securely so that it will not loosen while you are riding.

Cassette Player Anti-Theft Cover:

Installation

- Install the anti-theft cover on the cassette player by fitting the tab at the end of the cover into the groove of the cassette player. Swing the cover over the face of the cassette player and push on the cover to lock it.
- Check that the cover is securely locked into place.



1. Cassette Player 4. Anti-Theft Cover
2. Groove 5. Lock
3. Tab

Removal

- Insert the ignition switch key into the anti-theft cover lock.
- Turn the key fully clockwise, and remove the cover from the cassette player.
- Store the cover in the saddlebag.

AM/FM STEREO RADIO

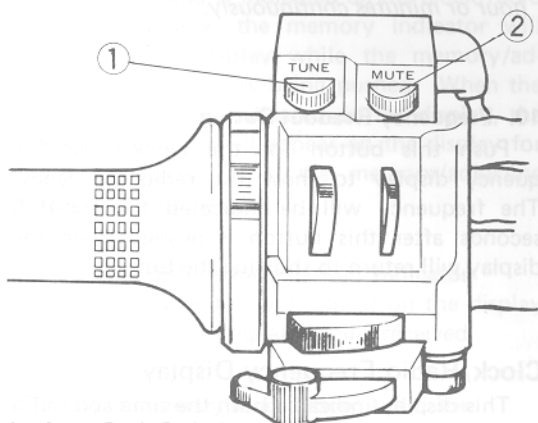
Features

- AM/FM stereo electronic tuner, PLL (Phase Locked Loop) frequency synthesizer system with clock function
- Digital quartz clock, 12-hour indication
- Easy-to-read LCD digital display
- Anti-vibration and water-resistant construction
- Manual tuning, preset tuning, and auto seek tuning
- Muting and auto seek tuning switches are on the handlebar
- Four FM and four AM stations can be preset into memory
- Control unit and antenna can be detached to prevent theft
- SASC (Signal Actuated Stereo Control) circuit is provided in FM

This circuit is used to further improve FM reception and widen the service area. Stereo mode is automatically selected when FM stereo signal is being received. However, if the signal is too weak to provide proper reception, the monaural mode is automatically selected to obtain improved reception with low noise. Comfortable FM reception with low noise can thus be enjoyed.

AM/FM Stereo Radio Controls

Left Handlebar Switches:



- 1. Auto Seek Switch
- 2. Muting Switch

1. Auto Seek Switch

Turn on this switch to move the radio frequency up to the next listenable station. If you want to seek and tune in another station, turn on the switch again.

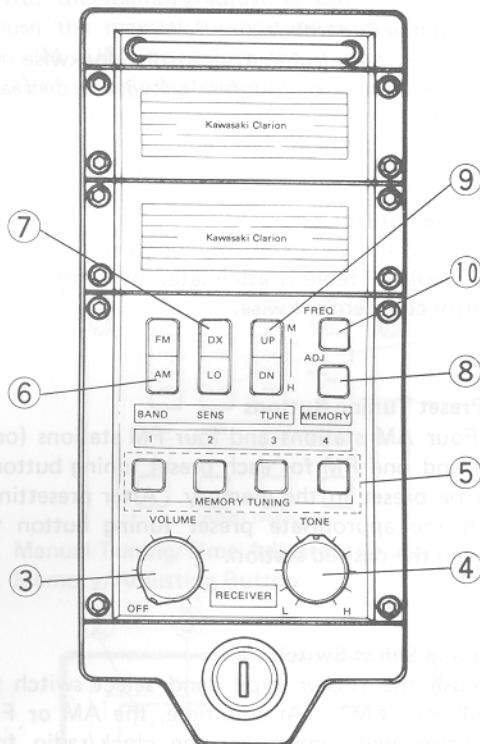
“NOTE”

○When the radio passes the last listenable station at the highest frequency, it starts to seek the first listenable station beginning at the lowest frequency.

2. Muting Switch

Turn on the muting switch to decrease the radio volume instantly when listening to the radio from the fairing-mounted speakers.

AM/FM Stereo Radio Control Unit:



- 3. Power Switch/ Volume Control
- 4. Tone Control
- 5. Preset Tuning Buttons
- 6. Band Select Switch
- 7. DX/LO Switch
- 8. Memory/Adjusting Button
- 9. Manual Tuning/ Time Adjusting Switch
- 10. Frequency Readout Button

3. Power Switch/Volume Control

(a) Power Switch

To Supply Power

- Turn the ignition switch to the "ACC" or "ON" position. At this time, the control unit and clock/radio frequency display illuminations will light.
- Rotate the power switch clockwise to turn on the radio. You will hear a click when the power comes on.

"NOTE"

- The clock/radio frequency display will show the radio frequency for about 5 seconds after the power is turned on and then will show the time.

To Turn Off Power

- Rotate the power switch counterclockwise until a click is heard.
- Turn off the ignition switch. At this time, the control unit and clock/radio frequency display illuminations will go out.

(b) Volume Control

Rotate the volume control clockwise to increase volume, or counterclockwise to decrease volume.

4. Tone Control

Rotate the tone control clockwise to emphasize treble. Treble is attenuated by rotating the control counterclockwise.

5. Preset Tuning Buttons

Four AM stations and four FM stations (one AM and one FM for each preset tuning button) can be preset in the memory. After presetting, push the appropriate preset tuning button to tune in the desired station.

6. Band Select Switch

Push the rocker type band select switch to "AM" or "FM". At this time, the AM or FM indicator will appear on the clock/radio frequency display.

7. DX/LO (Distance/Local) Switch

This rocker type DX/LO switch is available only when you seek and tune in the station using the auto seek switch. When the station signal is weak, push the switch to "DX". When the

station signal is strong, push the switch to "LO". At this time, the local indicator will appear on the clock/radio frequency display.

8. Memory/Adjusting Button

This button is used to adjust the time or to preset an AM or FM station in the memory. When the time is indicated on the clock/radio frequency display, the memory indicator will appear on the display while this button is being pushed. When the radio frequency is indicated on the display, the memory indicator will appear on the display for about 5 seconds after this button is pushed.

9. Manual Tuning/Time Adjusting Switch

Push this rocker type switch to tune in the desired station. Pushing the switch to "UP" moves the frequency from low to high, and pushing the switch to "DN" moves the frequency from high to low. Pushing the switch momentarily increases or decreases the frequency by 10 kHz for AM or by 200 kHz for FM. Pushing and holding the switch increases or decreases the frequency continuously in 10 kHz steps for AM or in 200 kHz steps for FM.

"NOTE"

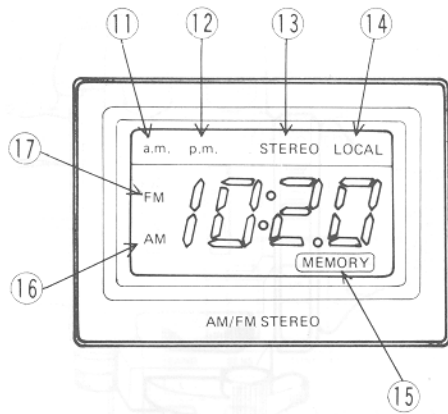
- The clock/radio frequency display will show the frequency for about 5 seconds after this switch is released; then it will return to showing the time. With the memory/adjusting button (#8) depressed, push this rocker type switch to "M (UP)" to adjust the minutes or to "H (DN)" to adjust the hour. Pushing the switch momentarily advances the hour or minute step by step. Pushing and holding the switch advances the hour or minutes continuously.

10. Frequency Readout Button

Push this button for the clock/radio frequency display to show the radio frequency. The frequency will be indicated for about 5 seconds after this button is pushed; then the display will return to showing the time.

Clock/Radio Frequency Display:

This display indicates both the time and radio frequency. Ordinarily the time is indicated on the display.



- | | |
|----------------------|----------------------|
| 11. a.m. Indicator | 15. Memory Indicator |
| 12. p.m. Indicator | 16. AM Indicator |
| 13. Stereo Indicator | 17. FM Indicator |
| 14. Local Indicator | |

11. a.m. Indicator

The a.m. indicator will appear on the display during the first 12 hours of the day.

12. p.m. Indicator

The p.m. indicator will appear on the display during the second 12 hours of the day.

13. Stereo Indicator

The stereo indicator will appear on the display when the FM stereo signal is being received.

14. Local Indicator

The local indicator will appear on the display when the DX/LO switch (#7) is in the "LO" position.

15. Memory Indicator

When the time is indicated on the clock/radio frequency display, the memory indicator will appear on the display while the memory/adjusting button (#8) is being pushed. When the radio frequency is indicated on the display, the memory indicator will appear on the display for about 5 seconds after the memory/adjusting button (#8) is pushed.

16. AM (amplitude modulation) Indicator

The AM indicator will appear on the display while the AM radio signal is being received.

17. FM (frequency modulation) Indicator

The FM indicator will appear on the display while the FM radio signal is being received.

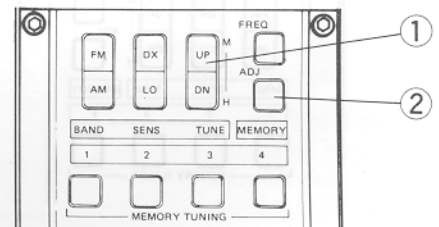
Time Adjustment

When the ignition switch is in the "OFF" position, the clock functions with the back-up power supply circuit from the battery. But, reset is required when the battery becomes discharged or is disconnected.

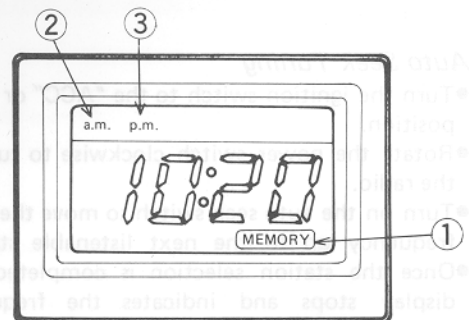
"NOTE"

○When the battery becomes discharged or is disconnected, the time display is reset to "1:00 a.m.".

- Turn the ignition switch to the "ACC" or "ON" position.
- Rotate the power switch clockwise to turn on the radio, and check that time is displayed.
- Depress the memory/adjusting button. At this time, the memory indicator will appear on the display.
- With the memory/adjusting button depressed, push the manual tuning/time adjusting switch to "M (UP)" to adjust the minutes or to "H (DN)" to adjust the hour. Pushing the switch momentarily advances the hour or minute step by step. Pushing and holding the switch advances the hour or minutes continuously.
- Check that the a.m. or p.m. indicator is appropriate for the time of day. If it is not, advance the time by 12 hours.



1. Manual Tuning/Time Adjusting Switch
2. Memory/Adjusting Button



1. Memory Indicator
2. a.m. Indicator
3. p.m. Indicator

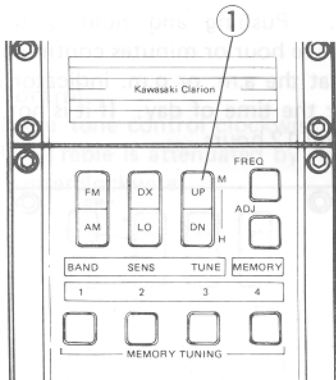
How to Listen to the Radio

Tuning:

The Voyager AM/FM stereo radio features manual tuning, auto seek tuning, and preset tuning.

Manual Tuning

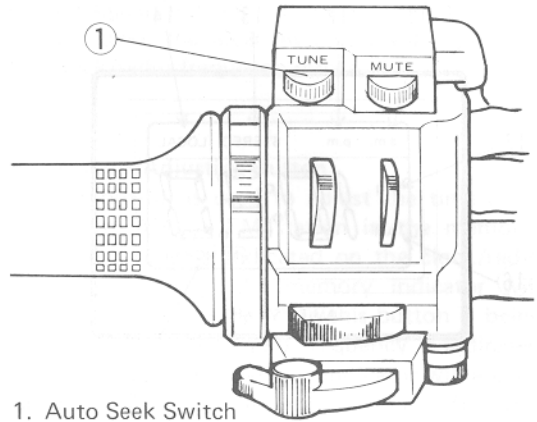
- Turn the ignition switch to the "ACC" or "ON" position.
- Rotate the power switch clockwise to turn on the radio.
- Push the manual tuning/time adjusting switch to tune in the desired station. Pushing the switch to "UP" moves the frequency from low to high, and pushing the switch to "DN" moves the frequency from high to low. Pushing the switch momentarily increases or decreases the frequency by 10 kHz for AM or by 200 kHz for FM. Pushing and holding the switch increases or decreases the frequency continuously in 10 kHz steps for AM or in 200 kHz steps for FM.



1. Manual Tuning/Time Adjusting Switch

Auto Seek Tuning

- Turn the ignition switch to the "ACC" or "ON" position.
- Rotate the power switch clockwise to turn on the radio.
- Turn on the auto seek switch to move the radio frequency up to the next listenable station.
- Once the station selection is completed, the display stops and indicates the frequency selected.
- If you want to seek and tune in another station, turn on the switch again.



1. Auto Seek Switch

"NOTE"

○ When the radio passes the last listenable station at the highest frequency, it starts to seek the first listenable station beginning at the lowest frequency.

Preset Tuning

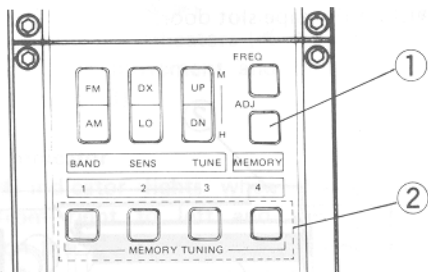
"NOTE"

○ When the battery becomes discharged or is disconnected, the preset memory is erased and following frequency is set into memory.

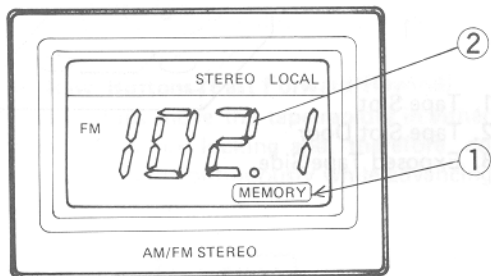
Band	Preset Tuning Button			
	1	2	3	4
AM	530 kHz	600 kHz	1,000 kHz	1,400 kHz
FM	87.9 MHz			

- Turn the ignition switch to the "ACC" or "ON" position.
- Rotate the power switch clockwise to turn on the radio.
- Select the AM or FM band using the band select switch.
- Tune in the desired station (auto seek tuning or manual tuning), and check that the radio frequency is shown on the display.
- Push the memory/adjusting button. At this time, the memory indicator will appear on the display for about 5 seconds. The memory can be set only while the memory indicator and radio frequency appear on the display.
- While the memory indicator and radio frequency appear on the display, push any one of the four preset tuning buttons. When the station is preset in the memory, the memory indicator will disappear.

- You can preset into memory 4 AM and 4 FM stations (one AM and one FM station for each preset tuning button).
- After presetting, push the appropriate preset tuning button to tune in the desired station.



1. Memory/Adjusting button
2. Preset Tuning Buttons



1. Memory Indicator
2. Radio Frequency Display

Listening to the Radio:

WARNING

- Carefully read the "GENERAL INSTRUCTIONS" chapter in this manual before operating the radio. Learn and observe all the rules.

"NOTE"

- The radio cannot be operated while the cassette player is in use.
- The radio can be heard even if time is shown on the display.
- When the radio is turned off and then turned on again, memory in the radio will automatically return to the last station selected.
- The super sound harness (optional) gives you the same excitement as you would experience at the live concert.

- Turn the ignition switch to the "ACC" or "ON" position.
- Rotate the power switch clockwise to turn on the radio.
- Select the band (AM or FM).
- Tune in the desired station (auto seek tuning, preset tuning, or manual tuning).
- Adjust the volume and tone controls.

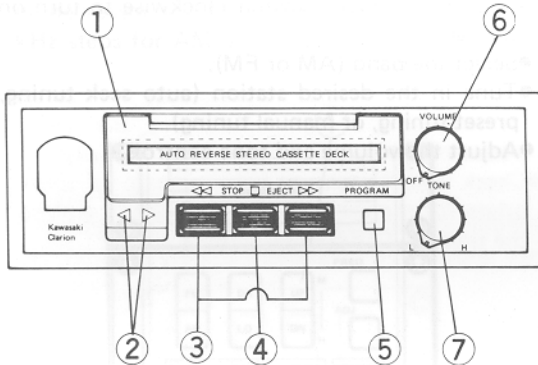
CASSETTE PLAYER

Features

- Auto reverse mechanism
- Anti-vibration and water-resistant construction
- Anti-theft cover with lock

Cassette Player Controls

Cassette Player:



1. Tape Slot Door
2. Program Indicators
3. F.F./Rew. Buttons
4. Stop/Eject Button
5. Program Change Button
6. Power Switch/Volume Control
7. Tone Control

1. Tape Slot Door

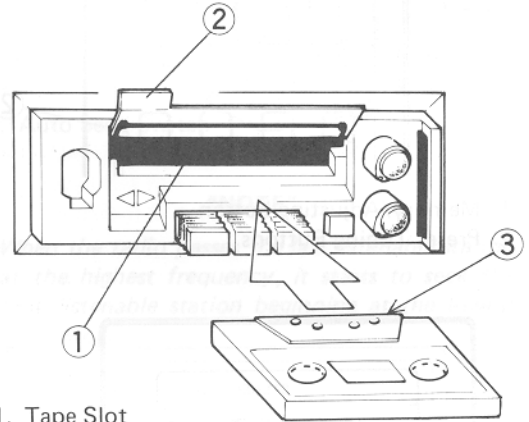
Open this door to insert or remove a cassette.

CAUTION

- Be sure to keep the tape slot door closed except when inserting or removing a cassette to prevent dirt and water from entering and damaging the cassette player.
- Always remove a cassette from the player when it is not in play.

Loading a Cassette

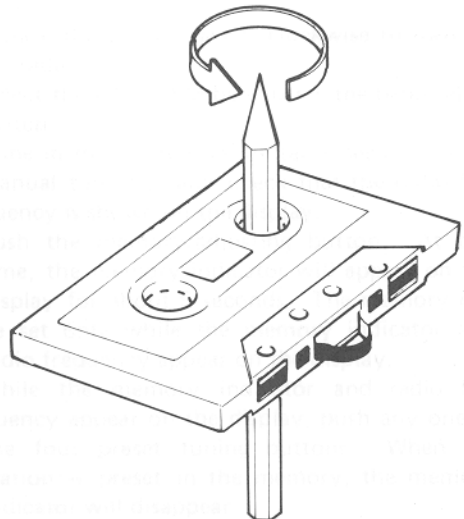
- Open the tape slot door.
- Insert the cassette into the tape slot with the exposed tape side facing the slot.
- Close the tape slot door.



1. Tape Slot
2. Tape Slot Door
3. Exposed Tape Side

CAUTION

- A tape that is loose or slack inside the cassette case may become wound around the capstan or pinch roller. To avoid this problem, tighten the tape by using a pencil or other suitable implement as shown.



Removing a Cassette

- Open the tape slot door.
- Push the stop/eject button (#4) firmly and remove the cassette.
- Close the tape slot door.

2. Program Indicator (◀ ▶)

The two program indicators (◀ ▶) show the direction of tape movement and the program being played (A or B).

(a) The ◀ Indicator

The ◀ indicator lights when the tape is moving from right to left and the program recorded on the side facing up (side A illustrated below) is playing.

(b) The ▶ Indicator

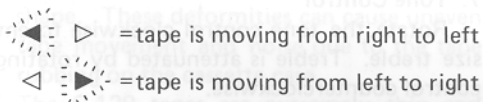
The ▶ indicator lights when the tape is moving from left to right and the program recorded on the side facing down is playing.

3. F.F./Rew. Buttons (Fast Forward/Rewind)

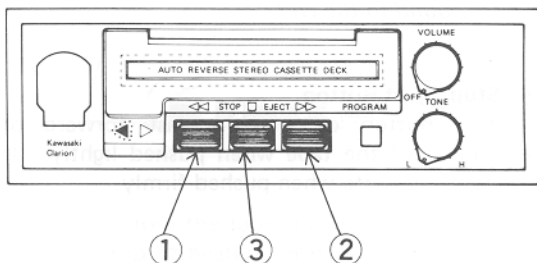
These buttons move the tape rapidly in either direction. They are locking and, therefore, do not have to be held continuously while advancing or rewinding the tape.

Advancing or Rewinding the Tape

- With a cassette tape playing, check the program indicator to determine which direction the tape is moving.

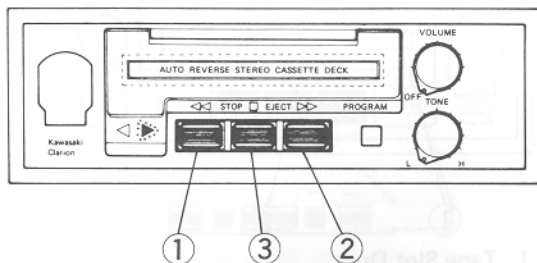


- If the ◀ indicator is lit, push the left F.F./Rew. button to advance the tape to the end of the program. Push the right F.F./Rew. button to rewind the tape to the beginning of the program.



1. Push this button to advance the tape.
2. Push this button to rewind the tape.
3. Stop/Eject Button

- If the ▶ indicator is lit, push the right F.F./Rew. button to advance the tape and push the left F.F./Rew. button to rewind the tape.



1. Push this button to rewind the tape.
2. Push this button to advance the tape.
3. Stop/Eject Button

Cassette with Side A Facing Up	Program Indicator	Side Playing
		Side A
		Side B

"NOTE"

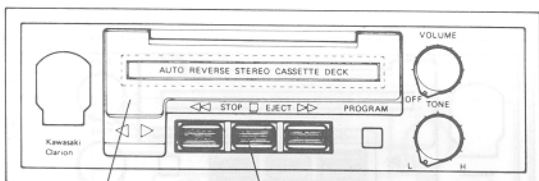
- To cancel fast feeding of the tape once a F.F./Rew. button is depressed, lightly push the stop/eject button (#4).
- Fast feeding of the tape will be cancelled and play back will begin when the tape is advanced or rev:ound to the end.

4. Stop/Eject Button

This button cancels the fast forward or rewinding of the tape when pushed lightly. It ejects the cassette when pushed firmly.

Ejecting the Cassette

- Open the tape slot door.
- Push the stop/eject button firmly to eject the cassette.
- Take the cassette out of the tape slot.
- Close the tape slot door.



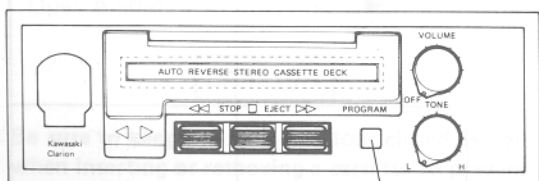
1. Tape Slot Door
2. Stop/Eject Button

5. Program Change Button

Push this button to change the program.

Changing Program

- Push the program change button to switch cassette programs. It is not necessary to remove the cassette and turn it over.



1. Program Change Button

"NOTE"

- The program indicators will show the change in tape movement direction when you push the program change button.
- When the tape reaches the end during normal play or when advanced with a F.F./Rew. button (#3), the auto-reverse mechanism will begin play in the opposite direction. The program indicators will change also to show that the program has changed.

6. Power Switch/Volume Control

(a) Power Switch

To Supply Power

- Turn the ignition switch to the "ACC" or "ON" position.
- Rotate the power switch clockwise to turn on the cassette player. You will hear a click when the power comes on.

To Turn Off Power

- Rotate the power switch counterclockwise until a click is heard.
- Turn off the ignition switch.

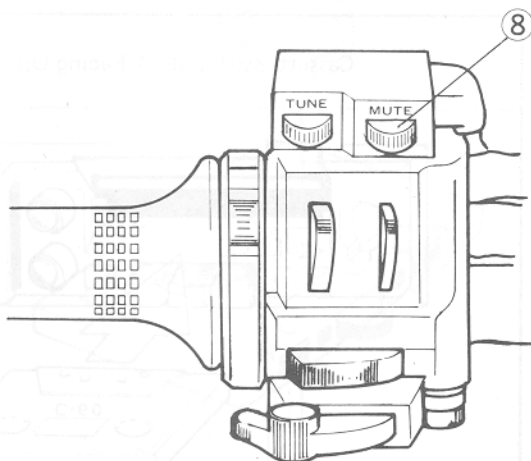
(b) Volume Control

Rotate the volume control clockwise to increase volume, or counterclockwise to decrease volume.

7. Tone Control

Rotate the tone control clockwise to emphasize treble. Treble is attenuated by rotating the control counterclockwise.

Left Handlebar Switch:



8. Muting Switch

8. Muting Switch

Turn on the muting switch to decrease the volume instantly when listening to the cassette player from the fairing-mounted speakers.

Not Recommended

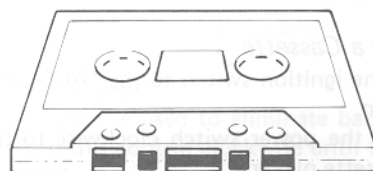


Tape Information

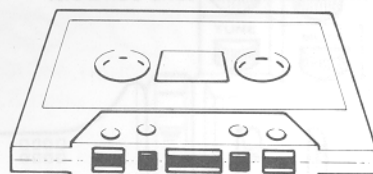
1. Cassette tape is wound on reels in a special convenient case that is easily inserted into the cassette deck. Tape width, cassette case shape and size, and tape speed are standardized for compatibility. The standard C-60 cassette tape contains enough tape for 60 minutes of recording. The C-30, C-45, C-90 and C-120 cassettes contain enough tape for 30, 45, 90 and 120 minutes respectively. (All times are total times of both sides of the tape.)
2. Although the quality of most cassette tapes is quite high, the following suggestions may help to avoid some possible cassette problems.
 - a) Be careful of cassettes that appear to be warped or have deformities in the case shape. These deformities can cause uneven tape movement and noise due to the tape rubbing on the cassette case.
 - b) The C-120 tapes are extremely thin and weak, and the magnetic coating is also thin. These tapes may cause distorted sound and also may wrap around the capstan causing jamming. C-120 tapes, therefore, are not recommended for use in this tape player.

3. Do not store the tapes in the following areas.
 - a) On top of heaters, in direct sunlight, or in any other high temperature area.

NO



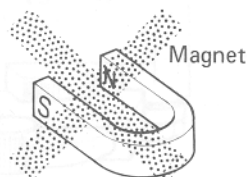
- b) Near any strong magnetic fields.



OK



NO



- c) High humidity areas.

How to Play the Cassette Player

WARNING

- Carefully read the "GENERAL INSTRUCTIONS" chapter in this manual before operating the cassette player. Learn and observe all the rules.

CAUTION

- Be sure to keep the tape slot door closed except when inserting or removing a cassette to prevent dirt and water from entering and damaging the tape player.
- Always remove a cassette from the player when it is not in play.

"NOTE"

- *The radio cannot be operated while the cassette player is in use.*
- *The super sound harness (optional) gives you the same excitement as you would experience at a concert.*

Playing a Cassette

- Turn the ignition switch to the "ACC" or "ON" position.
- Rotate the power switch clockwise to turn on the cassette player.
- Open the tape slot door, and insert a cassette into the tape slot with the exposed tape side facing the slot. At this time, a program indicator will light and play of the tape will automatically start.
- Close the tape slot door, and select the program.
- Adjust the volume and tone controls.

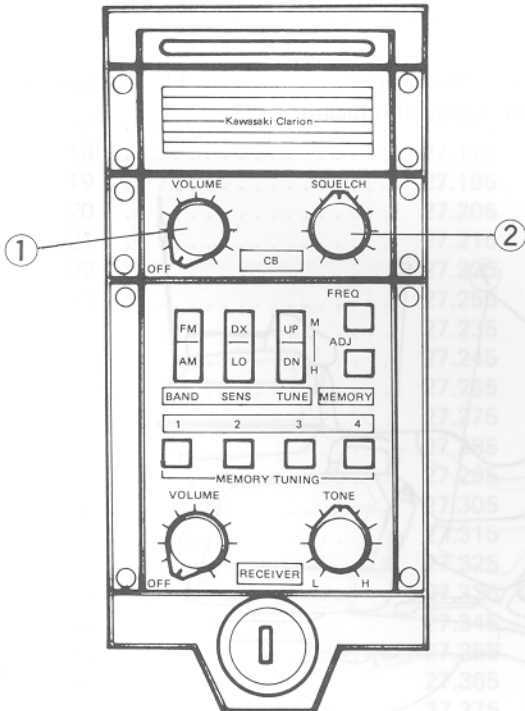
CB (Citizens Band) RADIO

Features

- 40-channel CB transceiver
- Easy-to-read LCD digital channel display
- Anti-vibration and water-resistant construction
- Noise reduction circuit
- Transmission and channel selection by switches on handlebar
- Squelch control

CB Radio Controls

Control Unit:



1. Power Switch/Volume Control
2. Squelch Control

1. Power Switch/Volume Control

(a) Power Switch

To Supply Power

- Turn the ignition switch to the "ACC" or "ON" position. At this time, the control unit illumination will light.
- Rotate the power switch clockwise to turn on the CB radio. You will hear a click when the power comes on. At this time, the CB display illumination will light and the CB and channel indicators (#9 & #10) will appear on the CB display.

To Turn Off Power

- Rotate the power switch counterclockwise until a click is heard. At this time, the CB display illumination will go out and the CB and channel indicators on the display will disappear.
- Turn off the ignition switch. At this time, the control unit illumination will go out.

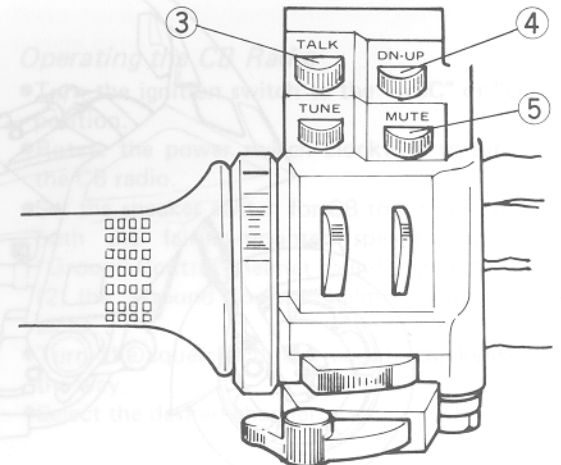
(b) Volume Control

Rotate the volume control clockwise to increase the receiver volume, or counterclockwise to decrease the receiver volume.

2. Squelch Control

This control is used to eliminate background noise. Turn this control clockwise until the noise is eliminated.

Left Handlebar Switches:



3. Rider Talk Switch
4. Channel Select Switch
5. Muting Switch

3. Rider Talk Switch

Turn on this switch to activate the transmitter. At this time, the TX indicator (#11) will appear on the display. Both this switch and the passenger talk switch (#8) must be released to activate the receiver.

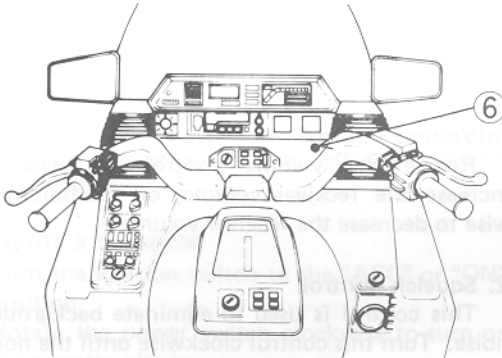
4. Channel Select Switch

Select the channel by pushing this switch. Pushing the switch to "UP" or "DN" moves the channel (frequency) up or down respectively. Pushing the switch momentarily changes the channel to the next one. Pushing and holding the switch changes channels continuously.

5. Muting Switch

Turn on the muting switch to decrease receiving volume instantly.

Other Switches and DIN Plugs:



6. Speaker Switch for CB

6. Speaker Switch for CB

You will receive signals with both the fairing-mounted speakers and the "Ground Control" helmet sound system when this switch is turned on. Turn off this switch to switch off the fairing-mounted speakers.

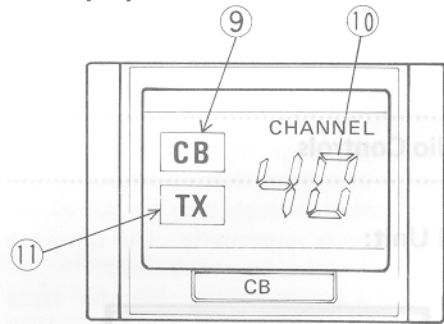
7. DIN Plugs

Two DIN plugs are provided for connecting the "Ground Control" helmet sound system.

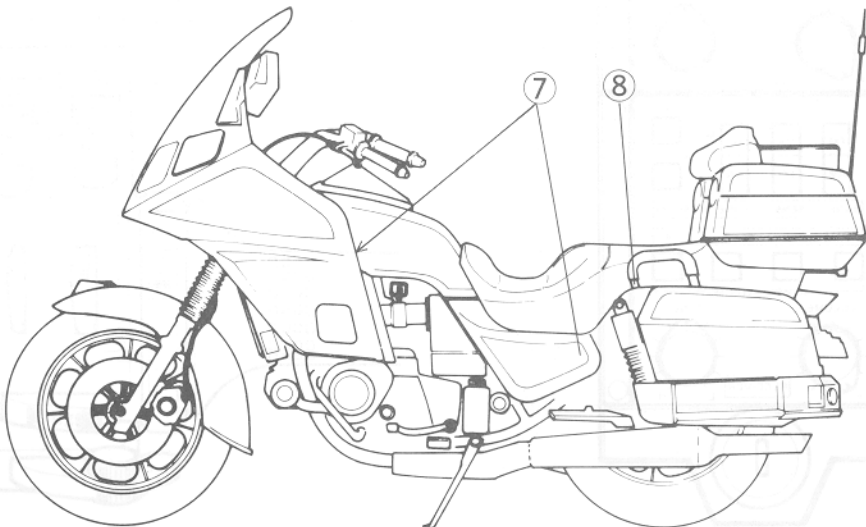
8. Passenger Talk Switch

Turn on this switch to activate the transmitter. At this time, the TX indicator (#11) will appear on the display. Both this switch and rider talk switch (#3) must be released to activate the receiver.

CB Display:



9. CB Indicator 11. TX Indicator
10. Channel Indicator



7. DIN Plugs
8. Passenger Talk Switch

9. CB Indicator

The CB indicator appears on the display while power is supplied to the CB radio.

10. Channel Indicator

The channel indicator shows the selected channel (frequency) on the display while power is supplied to the CB radio.

"NOTE"

○When the battery becomes discharged or is disconnected, the channel indicator is reset to "CHANNEL 1".

Channel:	Frequency (Megahertz)
1	26.965
2	26.975
3	26.985
4	27.005
5	27.015
6	27.025
7	27.035
8	27.055
9	27.065
10	27.075
11	27.085
12	27.105
13	27.115
14	27.125
15	27.135
16	27.155
17	27.165
18	27.175
19	27.185
20	27.205
21	27.215
22	27.225
23	27.255
24	27.235
25	27.245
26	27.265
27	27.275
28	27.285
29	27.295
30	27.305
31	27.315
32	27.325
33	27.335
34	27.345
35	27.355
36	27.365
37	27.375
38	27.385
39	27.395
40	27.405

11. Transmission (TX) Indicator

The TX indicator appears on the display while the rider and/or passenger are transmitting.

How to Operate the CB Radio

WARNING

- This CB radio has been approved by the Federal Communications Commission (F.C.C.) in the U.S.A. and the Department Of Communications (D.O.C.) in Canada, and has the "type acceptance" labels on it. Before operating a CB transmitter in Canada, you must have authority from the D.O.C. in Canada. Also, you must agree to follow the rules set by the D.O.C. in Canada. Effective June 1983 a licence to operate a citizens band radio is no longer required in the U.S.A. Read the rules for operating a CB transmitter carefully. Following them is the least you can do to become a good CBer.
- Carefully read the "GENERAL INSTRUCTIONS" chapter in this manual before operating the CB radio. Learn and observe all the rules.

Operating the CB Radio

- Turn the ignition switch to the "ACC" or "ON" position.
- Rotate the power switch clockwise to turn on the CB radio.
- Set the speaker switch for CB to listen from (1) both the fairing-mounted speakers and the "Ground Control" helmet sound system or from (2) the "Ground Control" helmet sound system alone.
- Turn the squelch control counterclockwise all the way.
- Select the desired channel.

"NOTE"

- When the CB radio is turned off and then turned on again, memory in the CB radio will automatically return to the last channel selected.

- Turn the volume control clockwise a little. At this time, receiving signals or noise will be heard.
- Turn the squelch control clockwise until the noise is eliminated.
- Adjust the CB volume control to the desired sound level.
- To transmit messages on the CB radio, turn on the rider talk switch, passenger talk switch or both. The talk switches must be released to activate the receiver.

"NOTE"

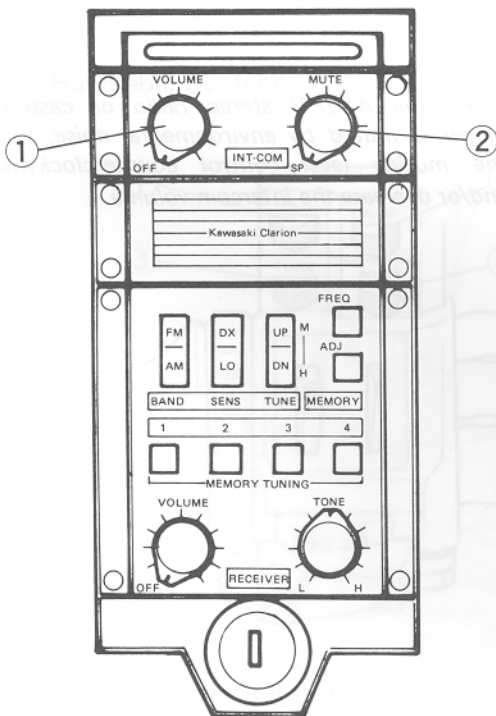
- *You can receive CB transmissions and listen to the AM/FM stereo radio or cassette player at the same time.*
- *The AM/FM stereo radio or cassette player volume will be muted automatically when transmitting or receiving CB messages.*

INTERCOM

Features

- Rider and passenger can communicate while listening to the AM/FM stereo radio, cassette player, and/or CB radio.
- Speaker select switch.
- Muting level control

Intercom Controls

Control Unit:


1. Power Switch/Volume Control
2. Speaker Select Switch/Muting Level Control

1. Power Switch/Volume Control
(a) Power Switch
To Supply Power

- Turn the ignition switch to the "ACC" or "ON" position. At this time, the control unit illumination will light.
- Rotate the power switch clockwise to turn on the intercom. You will hear a click when the power comes on.

To Turn Off Power

- Rotate the power switch counterclockwise until a click is heard.
- Turn off the ignition switch. At this time, the control unit illumination will go out.

(b) Volume Control

Rotate the volume control clockwise to increase volume, or counterclockwise to decrease volume.

2. Speaker Select Switch/Muting Level Control
(a) Speaker Select Switch

Rotate this switch all the way counterclockwise to listen to the AM/FM stereo radio or cassette player from the fairing-mounted speakers only. Rotate this switch between the full clockwise and counterclockwise positions to listen from the "Ground Control" helmet sound system only.

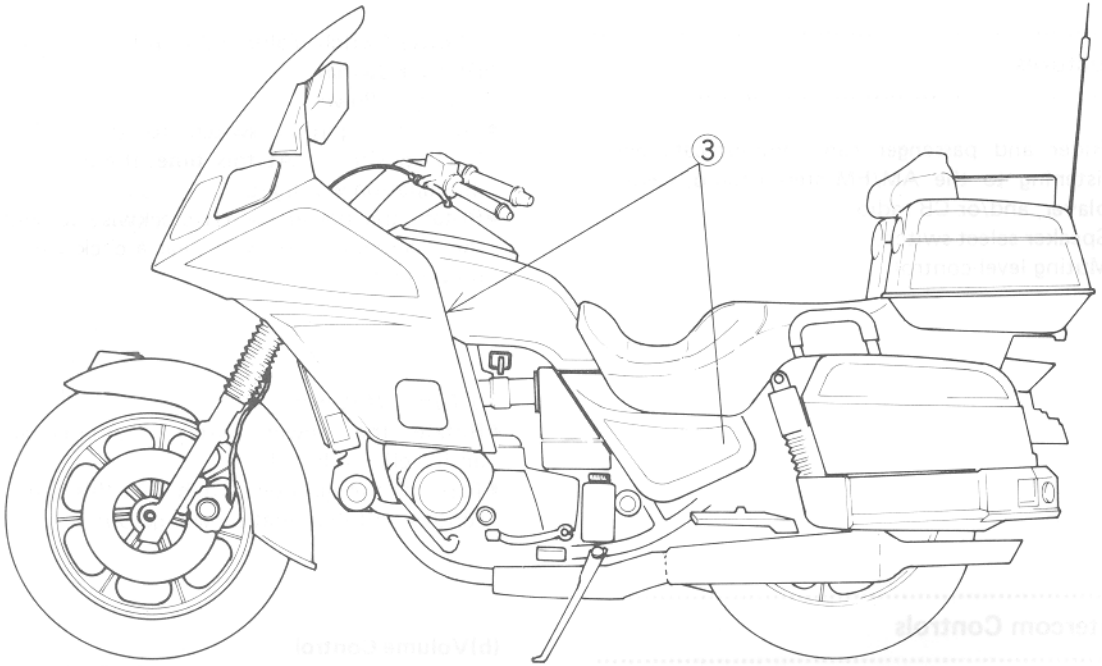
(b) Muting Level Control

Rotate the muting level control between the full clockwise and counterclockwise positions to adjust for the speaking volume required to mute the sound from the AM/FM stereo radio or cassette player. Turn this control clockwise until the AM/FM stereo radio or cassette player is muted by normal speaking but is not muted by environmental noise.

3. DIN Plugs

Two DIN plugs are provided for connecting the "Ground Control" helmet sound system.

DIN Plugs:



3. DIN Plugs

How to Use the Intercom

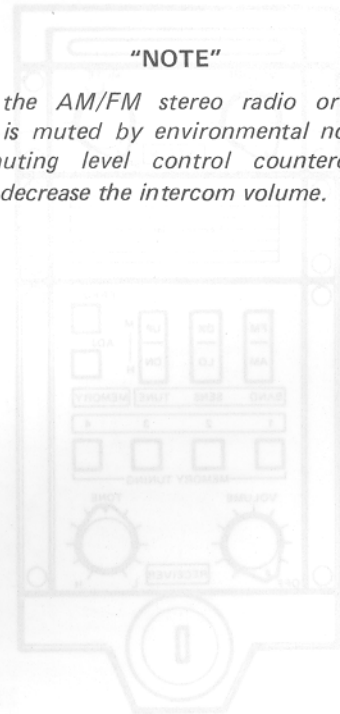
WARNING

○Carefully read the “GENERAL INSTRUCTIONS” chapter in this manual before using the intercom. Learn and observe all the rules.

- Turn the ignition switch to the “ACC” or “ON” position.
- Rotate the power switch clockwise to turn on the intercom.
- Adjust the intercom volume to the desired sound level.
- If you are using the intercom while listening to the AM/FM stereo radio or cassette player at the same time, adjust the muting level. Adjust the muting level control so that the AM/FM stereo radio or cassette player is muted by normal speaking but is not muted by environmental noise.

“NOTE”

- When the AM/FM stereo radio or cassette player is muted by environmental noise, turn the muting level control counterclockwise and/or decrease the intercom volume.



FULL SYSTEM OPERATION

This chapter explains the procedures for operating the audio systems in combination with each other.

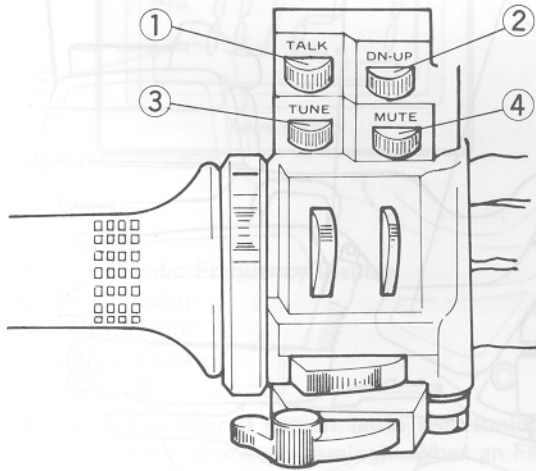
WARNING

Carefully read the "GENERAL INSTRUCTIONS" chapter in this manual before operating the audio systems. Learn and observe all the rules.

Controls

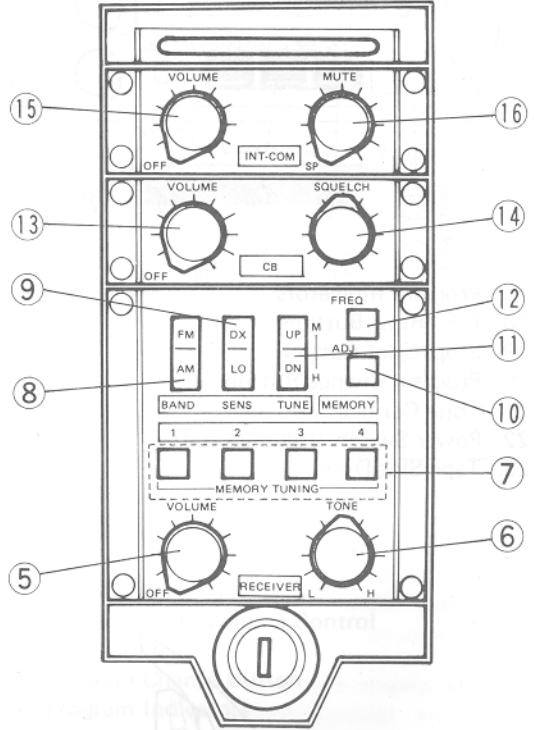
Refer to the individual component chapters for descriptions of the control functions.

Left Handlebar Switches:



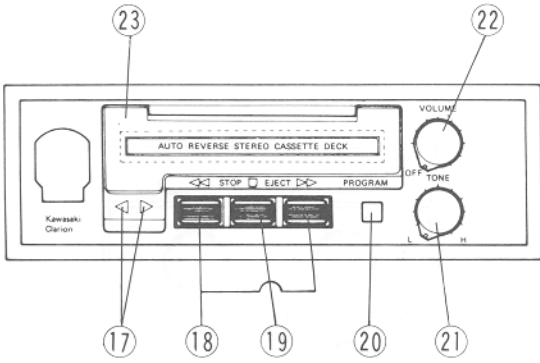
- 1. Rider Talk Switch (CB Radio)
- 2. Channel Select Switch (CB Radio)
- 3. Auto Seek Switch (AM/FM Stereo Radio)
- 4. Muting Switch (AM/FM Stereo Radio, Cassette Player and CB Radio)

Control Unit:



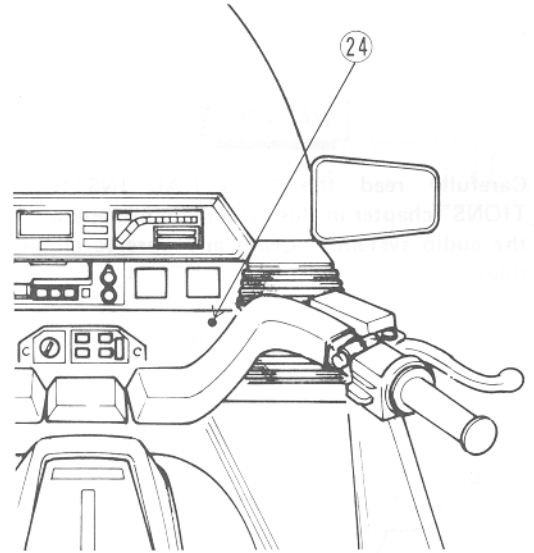
- 5. Power Switch/Volume Control (AM/FM Stereo Radio)
- 6. Tone Control (AM/FM Stereo Radio)
- 7. Preset Tuning Buttons (AM/FM Stereo Radio)
- 8. Band Select Switch (AM/FM Stereo Radio)
- 9. DX/LO Switch (AM/FM Stereo Radio)
- 10. Memory/Adjusting Button (AM/FM Stereo Radio)
- 11. Manual Tuning/Time Adjusting Switch (AM/FM Stereo Radio and Clock)
- 12. Frequency Readout Button (AM/FM Stereo Radio)
- 13. Power Switch/Volume Control (CB Radio)
- 14. Squelch Control (CB Radio)
- 15. Power Switch/Volume Control (Intercom)
- 16. Speaker Select Switch/Muting Level Control (Intercom)

Cassette Player:

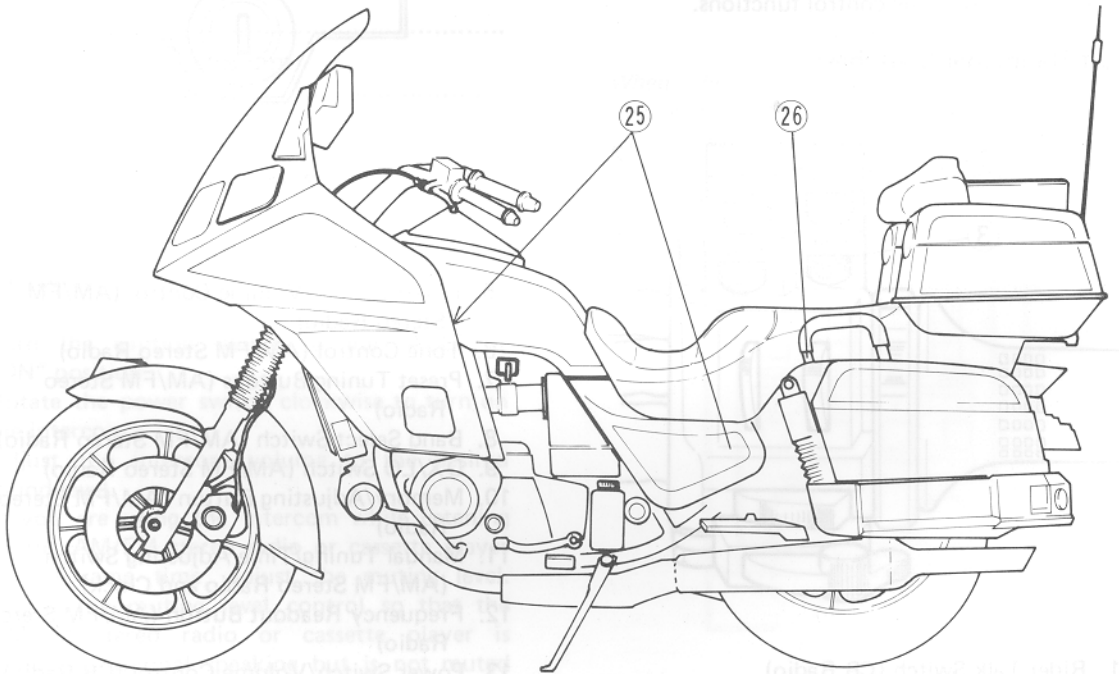


- 17. Program Indicators
- 18. F.F./Rew. Buttons
- 19. Stop/Eject Button
- 20. Program Change Button
- 21. Tone Control
- 22. Power Switch/Volume Control
- 23. Tape Slot Door

Other Switch and DIN Plugs:



- 24. Speaker Switch for CB



- 25. DIN Plugs
- 26. Passenger Talk Switch

AM/FM Stereo Radio and Cassette Player

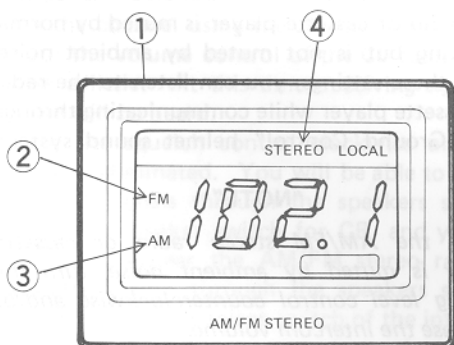
Operating Procedures

- Turn off the power switches of the AM/FM stereo radio, cassette player, CB radio, and intercom.
- Rotate the squelch control and speaker select switch/muting level control counterclockwise all the way.
- Turn the ignition switch to the "ACC" or "ON" position.
- Rotate the power switch of the AM/FM stereo radio clockwise to turn on the radio. You will hear a click when the power comes on.

"NOTE"

○ The clock/radio frequency display will show the radio frequency for about 5 seconds after the power is turned on, and then will show the time.

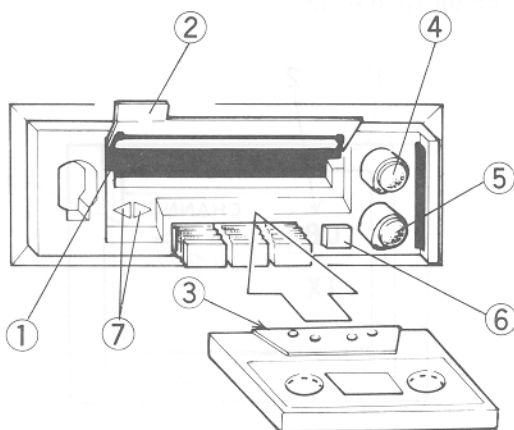
- Select the band using the band select switch (AM or FM). At this time, the AM or FM indicator will appear on the clock/radio frequency display.



1. Clock/Radio Frequency Display
2. FM Indicator
3. AM Indicator
4. Stereo Indicator

- Tune in the desired station (auto seek tuning, preset tuning, or manual tuning). When an FM stereo signal is being received, the stereo indicator will appear on the display.
- Adjust the volume and tone controls of the radio.
- Rotate the power switch of the cassette player clockwise to turn on the player. You will hear a click when the power comes on.

- Open the tape slot door, and insert a cassette into the tape slot with the exposed tape side facing the slot. At this time, the radio program fades away and, instead, play of the tape will automatically start.
- Close the tape slot door, and select the program using the program change button.



1. Tape Slot
2. Tape Slot Door
3. Exposed Tape Side
4. Power Switch/Volume Control
5. Tone Control
6. Program Change Button
7. Program Indicators

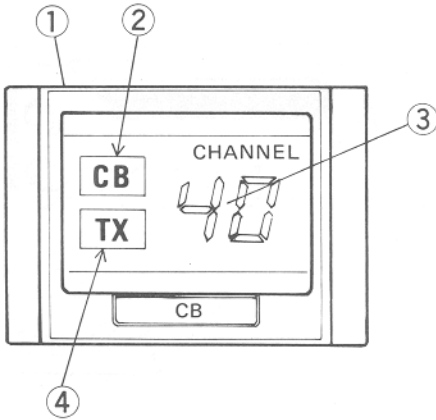
- Adjust the volume and tone controls of the cassette player.
- If you want to listen to the AM/FM stereo radio again, remove the cassette from the player and/or turn off the power switch of the player. As soon as the cassette player is turned off, you will hear the radio again.

CB Radio and Intercom

Operating Procedures

- Turn off the power switches of the AM/FM stereo radio, cassette player, CB radio, and intercom.

- Rotate the squelch control and speaker select switch/muting level control counterclockwise all the way.
- Turn the ignition switch to the "ACC" or "ON" position.
- Rotate the power switch of the CB radio clockwise to turn on the CB radio. You will hear a click when the power comes on. At this time, the CB and channel indicators will appear on the CB display.



1. CB Display
2. CB Indicator
3. Channel Indicator
4. TX Indicator

- Set the speaker switch for CB to listen from ① both the fairing-mounted speakers and the "Ground Control" helmet sound system or from ② the "Ground Control" helmet sound system alone.
- Set the channel using the channel select switch.
- Turn the volume control of the CB radio clockwise a little. At this time, receiving signals or noise will be heard.
- Turn the squelch control clockwise until the noise is eliminated.
- Adjust the volume control of the CB radio to the desired sound level.
- With the rider talk switch and/or passenger talk switch turned on, transmit messages to the opposite CB station. At this time, the TX indicator will appear on the display. Release both talk switches to activate the receiver.
- Rotate the power switch of the intercom clockwise to turn on the intercom. You will hear a click when the power comes on.
- Adjust the intercom volume to the desired sound level while communicating with the passenger. Both the rider and passenger can communicate through the "Ground Control" helmet sound system and operate the CB radio.

AM/FM Stereo Radio, Cassette Player and Intercom

Operating Procedures

- Perform the procedures described in the "AM/FM Stereo Radio and Cassette Player" section.
- Rotate the speaker select switch of the intercom fully counterclockwise.
- Rotate the power switch of the intercom clockwise to turn on the intercom. You will hear a click when the power comes on.
- Adjust the intercom volume to the desired sound level while communicating with the passenger. Both the rider and passenger can communicate through the "Ground Control" helmet sound system and can listen to the AM/FM stereo radio or cassette player through the fairing-mounted speakers.
- If you want to listen to the radio or cassette player through the "Ground Control" helmet sound system, rotate the speaker select switch of the intercom clockwise until a click is heard. Now, communication between the rider and passenger are mixed with the radio or cassette sound.
- Turn the muting level control clockwise so that the radio or cassette player is muted by normal speaking but is not muted by ambient noise. With these settings, you can listen to the radio or cassette player while communicating through the "Ground Control" helmet sound system.

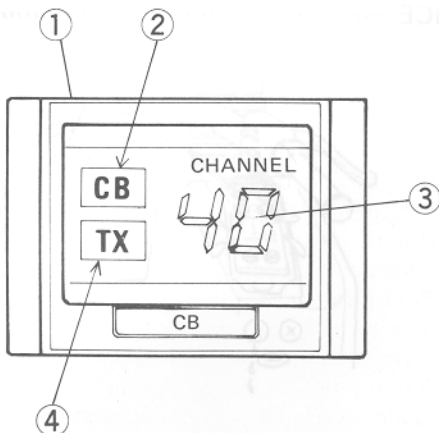
"NOTE"

- When the AM/FM stereo radio or cassette player is muted by ambient noise, turn the muting level control counterclockwise and/or decrease the intercom volume.

AM/FM Stereo Radio, Cassette Player, Intercom and CB Radio

Operating Procedures

- Perform the procedures described in the "AM/FM Stereo Radio, Cassette Player and Intercom" section.
- Rotate the power switch of the CB radio clockwise to turn on the CB radio. You will hear a click when the power comes on. At this time, the CB and channel indicators will appear on the CB display.



1. CB Display
2. CB Indicator
3. Channel Indicator
4. TX Indicator

- Set the speaker switch for CB to listen from
 - ① both the fairing-mounted speakers and the "Ground Control" helmet sound system or from
 - ② the "Ground Control" helmet sound system alone.
- Set the channel using the channel select switch.
- Turn the volume control of the CB radio clockwise a little. At this time, receiving signals or noise will be heard.
- Turn the squelch control clockwise until the noise is eliminated. You will be able to receive the CB signals through the speakers selected using the speaker switch for CB, and you will be able to hear the AM/FM stereo radio or cassette player through the speakers selected using the speaker select switch of the intercom. And also, you can communicate through the "Ground Control" helmet sound system.
- Adjust the volume control of the CB radio to the desired sound level.
- With the rider talk switch and/or passenger talk switches turned on, transmit messages. At this time, the TX indicator will appear on the display. Release both talk switches to activate the receiver.

"NOTE"

- The AM/FM stereo radio or cassette player will be muted under the following conditions:
 - ☆ While the rider and passenger are communicating on the intercom.
 - ☆ While either talk switch (rider or passenger) is turned on to transmit on the CB radio.
 - ☆ While CB signals are being received.

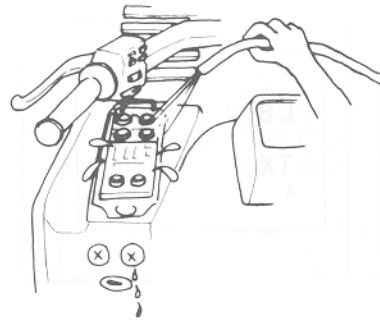


MAINTENANCE

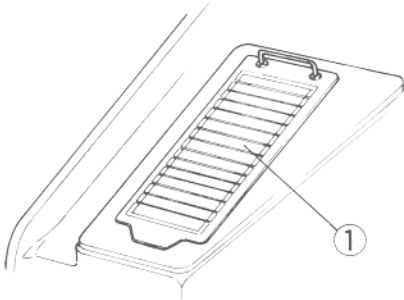
Cleaning the Motorcycle

Preparation for cleaning

- Remove the control unit from the motorcycle and install the lid. Refer to Theft Prevention in the GENERAL INSTRUCTIONS chapter.

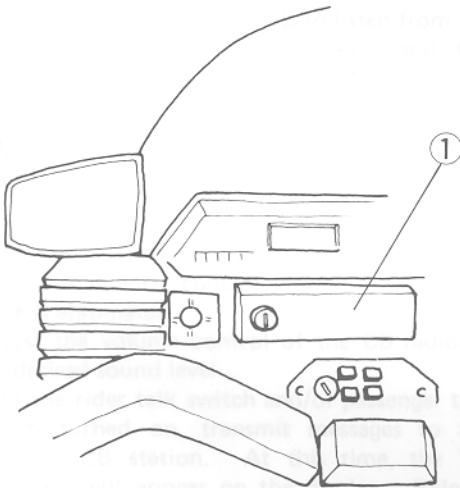


- To prevent surface damage, do not clean plastic parts with organic solutions such as gasoline, thinner, or benzene. Use a soft cloth which has been soaked in a solution of neutral detergent to clean plastic parts, then dry them with a soft cloth.



1. Lid

- Cover the cassette player with the anti-theft cover. Refer to Theft Prevention in the GENERAL INSTRUCTIONS chapter.

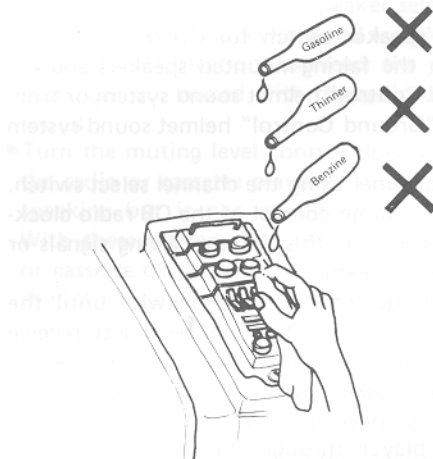


1. Anti-Theft Cover

Cleaning Note



- Avoid spraying water with great force near the audio systems.



Cassette Player

Cleaning

After the player is used for a long time, tape residue and dust tend to build up on the head and tape path. A dirty head will reduce the overall efficiency of the head, and poor or distorted sound may occur. Also, a dirty pinch roller or capstan could cause erratic tape movement or jamming. To prevent these problems and insure longer life for your cassette player and tapes, clean the head, pinch rollers and capstans from time to time with a cotton swab slightly moistened with alcohol.

ZN1300

KAWASAKI
HEAVY INDUSTRIES, LTD.
MOTORCYCLE GROUP

Part No. 99920-1301-01

Printed in Japan