

ZG1200 VOYAGER SPLASH GUARD K53002-040

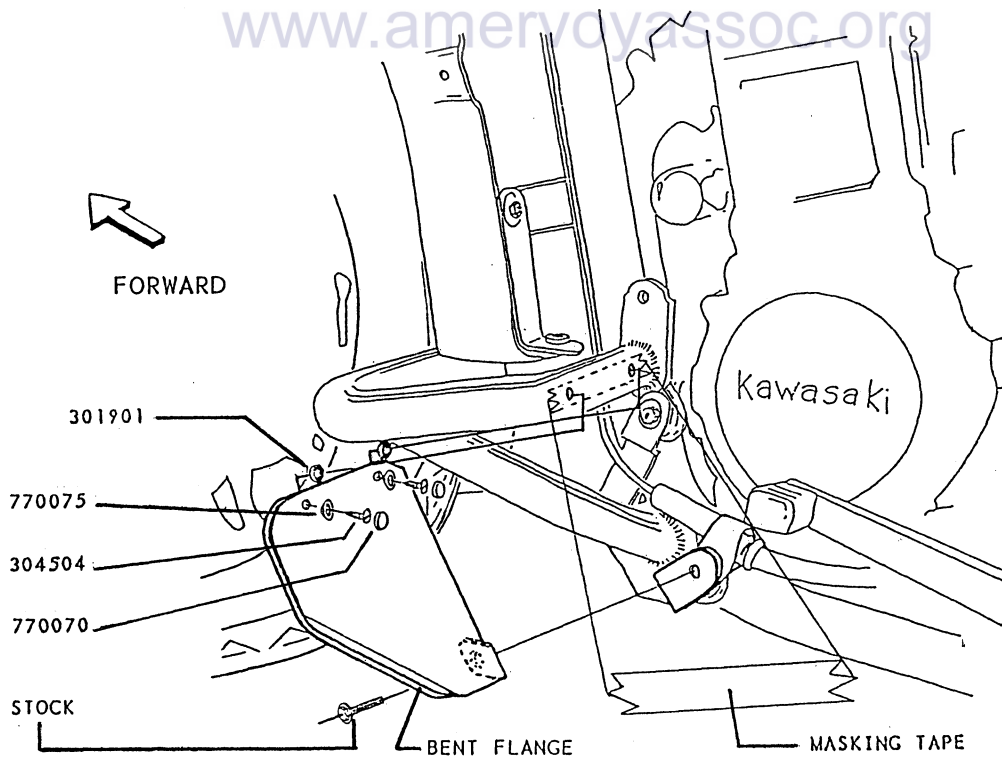
QTY	P/N	DESCRIPTION
1	460645	LEFT SPLASH GUARD, PLATED
1	460650	RIGHT SPLASH GUARD, PLATED
4	301901	.20x.62x.125" BLACK RUBBER WASHER
4	304504	#6x1/2" SLOTTED PAN HEAD SCREW, PLATED
4	770070	13mm SNAP CAP, CHROME
4	770075	13mm SNAP CAP WASHER

NOTE: PLEASE READ ALL INSTRUCTIONS BEFORE STARTING INSTALLATION.

1. PLACE YOUR MOTORCYCLE ON ITS CENTERSTAND.
2. PLACE A PIECE OF MASKING TAPE ALONG THE BACK PORTION OF THE TOP LOOP OF THE CASE GUARD AS SHOWN.
3. REMOVE THE STOCK 8mm FLANGE BOLT FROM THE LOWER MOUNTING POSITION.
4. USING THE STOCK 8mm FLANGE BOLT, INSTALL SPLASH GUARD TO LOWER MOUNTING POINT. LEAVE FINGER TIGHT FOR NOW.
5. HOLD SPLASH GUARD AGAINST TOP REAR CASE GUARD RAIL AND MARK THROUGH 2 SMALL HOLES ONTO MASKING TAPE. BE SURE PART IS LEVEL AND IN THE DESIRED POSITION.

NOTE: THE LOWER MOUNT TAB ON SPLASH GUARD FACES FORWARD AND THE BENT FLANGE FACES REARWARD.

6. ROTATE SPLASH GUARD OUT OF THE WAY AND DRILL 7/64" HOLES THROUGH ONE SIDE OF CASE GUARD ONLY. REMOVE MASKING TAPE AND LIGHTLY DEBURR THE HOLES (2).
7. INSTALL TOP OF SPLASH GUARD, AS SHOWN, USING HARDWARE PROVIDED. INSTALL CHROME SNAP CAPS OVER SCREWS & WASHER THEN TIGHTEN STOCK 8mm BOLTS.
8. REPEAT OPERATIONS FOR OTHER SIDE AND INSTALLATION IS NOW COMPLETE.



FEBRUARY 1990
MI 060417

LEFT SIDE SHOWN

ACCESSORIES